

Keg Sizes and Types

It's a wide world of beer out there, and we're all just living in it. If you've decided to install a [kegerator](#) in your space, you may be considering various options. In order to make the most of your decision, you should know about the different keg sizes offered on the market today.

Keg Size Quick Reference Chart					
	Cornelius Keg	Sixth Barrel Keg	Quarter Barrel Keg	Slim Quarter Keg	Half Barrel Keg
Gallons	5	5.16	7.75	7.75	15.5
Ounces	640	661	992	992	1,984
Liters	18.93	19.55	29.34	29.34	58.67
Height	23"	23 ³ / ₈ "	13 ⁷ / ₈ "	23 ³ / ₈ "	23 ³ / ₈ "
Width	9"	9 ¹ / ₄ "	16 ¹ / ₈ "	11 ¹ / ₈ "	16 ¹ / ₈ "
Bottles / Cans (12oz)	53	55	82	82	165
Pints (16 oz)	40	41	62	62	124
Growlers (64 oz)	10	10	15.5	15.5	31
Alternate Names	Corny Keg	1/6 Barrel, Sixtels	Pony Keg, Stubby Quarter	Tall Quarter	Full Size Keg, Full Keg

Keg Size Quick Reference Chart	
Cornelius Keg	
Gallons	5
Ounces	640
Liters	18.93
Height	23"
Width	9"
Bottles / Cans (12oz)	53
Pints (16 oz)	40
Growlers (64 oz)	10
Alternate Names	Corny Keg
Sixth Barrel Keg	
Gallons	5.16
Ounces	661
Liters	19.55
Height	23 ³ / ₈ "
Width	9 ¹ / ₄ "
Bottles / Cans (12oz)	55
Pints (16 oz)	41
Growlers (64 oz)	10
Alternate Names	1/6 Barrel, Sixtels
Quarter Barrel Keg	
Gallons	7.75
Ounces	992
Liters	29.34
Height	13 ⁷ / ₈ "
Width	16 ¹ / ₈ "
Bottles / Cans (12oz)	82
Pints (16 oz)	62
Growlers (64 oz)	15.5
Alternate Names	Pony Keg, Stubby Quarter
Slim Quarter Keg	
Gallons	7.75
Ounces	992
Liters	29.34
Height	23 ³ / ₈ "
Width	11 ¹ / ₈ "

Keg Size Quick Reference Chart					
	Cornelius Keg	Sixth Barrel Keg	Quarter Barrel Keg	Slim Quarter Keg	Half Barrel Keg
Bottles / Cans (12oz)					82
Pints (16 oz)					62
Growlers (64 oz)					15.5
Alternate Names					Tall Quarter
Half Barrel Keg					
Gallons					15.5
Ounces					1,984
Liters					58.67
Height					23 ³ / ₈ "
Width					16 ¹ / ₈ "
Bottles / Cans (12oz)					165
Pints (16 oz)					124
Growlers (64 oz)					31
Alternate Names					Full Size Keg, Full Keg

Keg Size Details

These different keg sizes each have different purposes and will be used in different situations, but if you know what you're getting into, it will help you make an informed decision about what kind of kegerator you need to maximize your beer enjoyment.



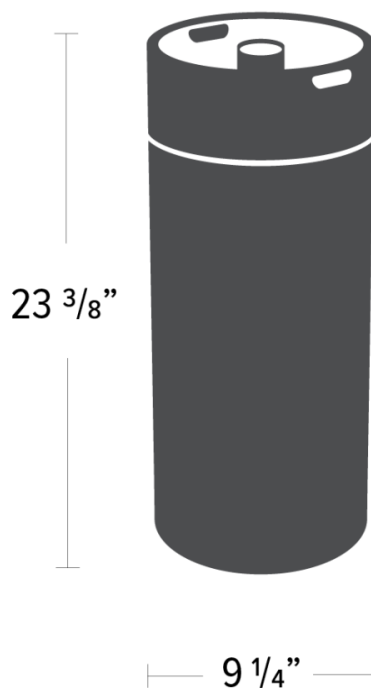
Cornelius Keg

The tall, cylindrical [Cornelius Keg](#) (or Corny Keg) was originally developed (and still used) to store, distribute, and dispense soda like Pepsi or Coke.

However, with a five-gallon capacity (the size of a typical homebrew batch) and a design that's easy to fill, clean, and maintain, Corny Kegs have become very popular with homebrewers who want to skip the process of [bottling beer](#) and enjoy their brew on draft.

Most Cornelius Kegs utilize a ball-lock style connection, but some older models still feature a pin-lock style.

- **Pints (16 oz) of beer per keg:** Approx. 40
 - **Cans / Bottles (12oz) per keg:** Approx. 53
 - **Capacity:** 5 gallons / 18 liters / 640 ounces
-



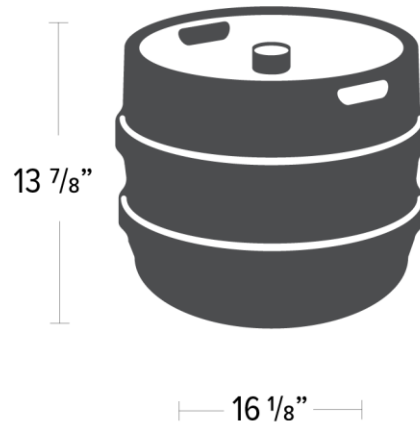
Sixth Barrel Keg

A standard Sixth Barrel Keg ($\frac{1}{6}$ Barrel) is very similar in size, shape, and capacity to a Cornelius Keg, but just a little bit bigger (5.16 gallon capacity vs. 5.0 in a Corny Keg). The main difference is that this style doesn't utilize a ball or pin-lock connection system, but a traditional keg valve that requires a [keg coupler](#) for dispensing.

$\frac{1}{6}$ Barrels (or sixtels, as they're often called) have become increasingly popular because many craft brewers offer their small-batch experiments only in kegs of this size. Furthermore, many beer-minded restaurateurs that want to offer their customers a wide variety will opt for Sixth Barrel Kegs because they take up less space than their bigger brothers.

If you opt for a dual-tap kegerator in your home, you'll likely end up having many different brews offered in Sixth Barrel Kegs because you can fit two of these in one standard kegerator cabinet.

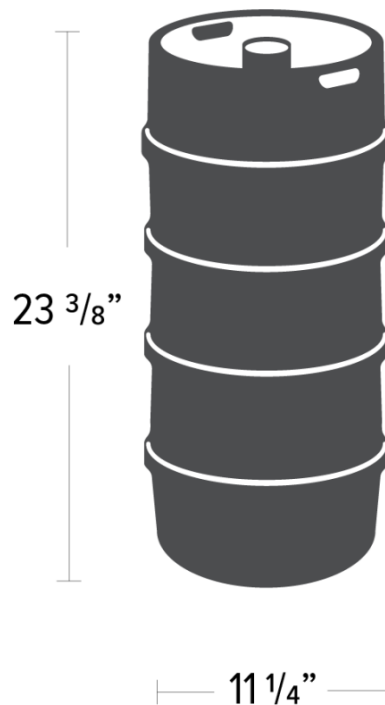
- **Pints of beer per keg:** Approx. 41
 - **Cans / Bottles (12oz) per keg:** Approx. 55
 - **Capacity:** 5.16 gallons / 20 liters / 661 ounces
-



Quarter Barrel Keg

The Quarter Barrel Keg (AKA Pony Keg or Stubby Quarter) looks like the standard beer keg you're used to from keg parties but much shorter (hence the "stubby" description). It's 7.75 gallons and perfect for small parties.

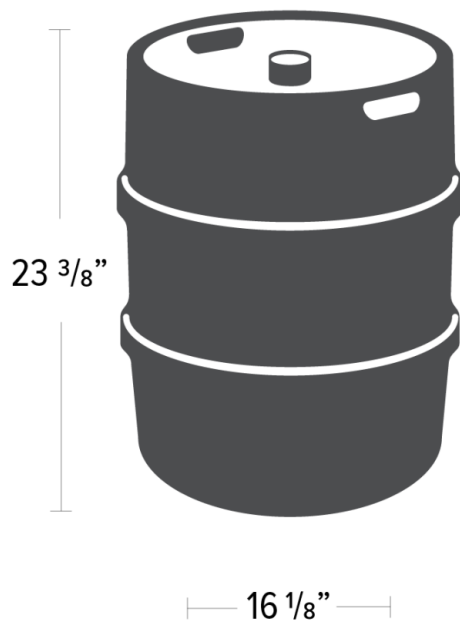
- **Pints of beer per keg:** Approx. 62
 - **Cans / Bottles (12oz) per keg:** Approx. 82
 - **Capacity:** 7.75 gallons / 30 liters / 992 ounces
-



Slim Quarter Keg

This tall, slender keg holds the exact same amount as its stubbier relative, the Quarter Barrel Keg. Much like a 1/6 Barrel, the dimensions of this keg make it a popular choice for people with [dual-tap kegerators](#), but it holds 7.75 gallons, making it more than two gallons larger than a sixtel.

- **Pints of beer per keg:** Approx. 62
- **Cans / Bottles (12oz) per keg:** Approx. 82
- **Capacity:** 7.75 gallons / 30 liters / 992 ounces



Half Barrel Keg

The granddaddy of them all, the 15.5 gallon Half Barrel Keg is probably what you picture when you think of a beer keg. This is the vessel that's been used to distribute macro brews for generations, and if you're reading this, it's likely that you've served yourself a red Solo cup or two from one of these beauties.

Of course, this is also the keg that most bars and restaurants use, and it will also fit any standard-sized kegerator. If you're interested in trying new brews, you'll probably want to stick with the smaller sizes.

- **Pints of beer per keg:** Approx. 124
- **Cans / Bottles (12oz) per keg:** Approx. 165
- **Capacity:** 15.5 gallons / 58.7 liters / 1,984 ounces